



JOHN DEERE

640L-II SKIDDER



640L-II SKIDDER



RELIABLE WARRIOR IN THE WOODS.

When loggers like you tell us what they need to succeed in the woods and at the landing, we listen and then get to work putting ideas into action. Based on some of your best input, the John Deere 640L-II Skidder boasts a wealth of performance and durability features to keep you running long and strong. Our latest upgrades reflect years of continual refinement that have resulted in a proven machine that's simple to operate, easy to maintain, and reliable to own. The 640L-II is more than ready to help you take on tasks in the real woods.

All about uptime

Simplified routing of the electrical and hydraulic systems helps boost reliability and ease maintenance. Improved protection of wiring and hoses minimizes wear and bending. Electrical components are durably constructed to withstand tough forestry applications and extend wear life.

Best of both worlds

Continuously Variable Transmission (CVT) combines the efficiency of direct drive with the smoothness and operating ease of hydrostatic drive. Automatically sensing the load, CVT delivers torque and tractive effort as needed to maintain the maximum speed the operator sets, reducing engine wear, optimizing fluid economy, and eliminating manual shifting.

Comfortable cushioning

Steering sensors control articulation speed when nearing frame-to-frame contact, cushioning impact during full articulation and enhancing operator comfort.



CVT TRANSMISSION
ELIMINATES
MANUAL SHIFTING

Effortless operation

Armrest-mounted electrohydraulic controls provide easy, fingertip operation of all machine functions. Joystick steering provides smooth, intuitive control of steering, direction, and ground speed.

Speed things up

Two-speed 4000 and 6000 Winches increase line pull and is faster than the single-speed winch on previous models, boosting productivity.

Independent axle-diff lock

Engage the front and rear axles, or just the front or rear as needed, to maneuver over tough terrain.

Stable and capable

Combining impressive horsepower and power-to-weight ratio with a constant engine speed, the 640L-II delivers superb responsiveness with maximum efficiency. Rock-solid stability provides excellent pulling power, especially when climbing hills, navigating adverse terrain, or hauling bigger payloads.

640L-II SKIDDER

***PUT TECHNOLOGY TO WORK
IN THE WOODS AND AT THE OFFICE.***

Coordinate your operation and your team's productivity from wherever your work takes you with John Deere Precision Forestry and our core technology solutions.

FEATURES

Core intelligence

Your John Deere Forestry machine arrives from the factory equipped with a powerful set of technologies and capabilities already built in. Each plays an important role in managing the health and performance of your overall equipment fleet:

- **JDLink™** connectivity lets you track your equipment, see which machines are working, and know if they're being utilized properly and at maximum productivity and efficiency.
- Enabled through JDLink, **John Deere Connected Support** leverages a suite of dealer and factory tools designed to deliver increased uptime and productivity, and lower daily operating costs.
- **Remote Diagnostics and Programming Capability** within John Deere Connected Support helps your dealer warn you of any issue with your machine — often before you know of the problem yourself — and initiate solutions without charging you for a technician's visit to your jobsite.
- Our advanced dual approach to **Machine Health** combines the expertise of the technology specialists at our dealerships with the data specialists at our central Machine Health Monitoring Center (MHMC). As part of John Deere Connected Support, information from thousands of connected machines flows through the MHMC, enabling our specialists to identify trends and develop new and improved preventative-maintenance and repair protocols.

Precision Forestry

Take the guesswork out of planning, implementing, and monitoring your logging operation. The tools of our production-planning and -tracking system expand on the core technology features that come standard in every John Deere Forestry machine to unleash a powerful new array of possibilities:

- **TimberMatic™ Maps** is an innovative onboard software solution that helps you reimagine your jobsites. Real-time production views, optimized routes, and shared wireless connections between machines make it easier than ever before to take your forestry operation to the next level.
- **TimberManager™** is a web-based solution for PCs, tablets, and mobile phones that allows you to follow jobsite progress. Combined with TimberMatic Maps, this software provides complete visibility of your operation — from land harvested to specific machines — so you can streamline communication, analyze tasks, and increase productivity:
 - **Remote Monitoring** keeps tabs on the health and performance of your fleet from wherever you are.
 - **Precise Progress Tracking** lets you set goals for your team to meet throughout the day.
 - **Live Production View** displays progress including tree count, area harvested, and estimated tonnage.
 - **Simplified Mapping** of machine data and GPS-based location tracking shows precise stem and log counts.
 - **Real-Time Updates** let you adjust course or eliminate tasks if needed to maintain steady workflow.
 - **Fleet Optimization** goes beyond machine management to help improve the efficiency of your business.



**JOHN DEERE
CONNECTED SUPPORT™**

CONNECTS YOUR OPERATION
TO DEALER & FACTORY EXPERTISE

640L-II SKIDDER SPECIFICATIONS

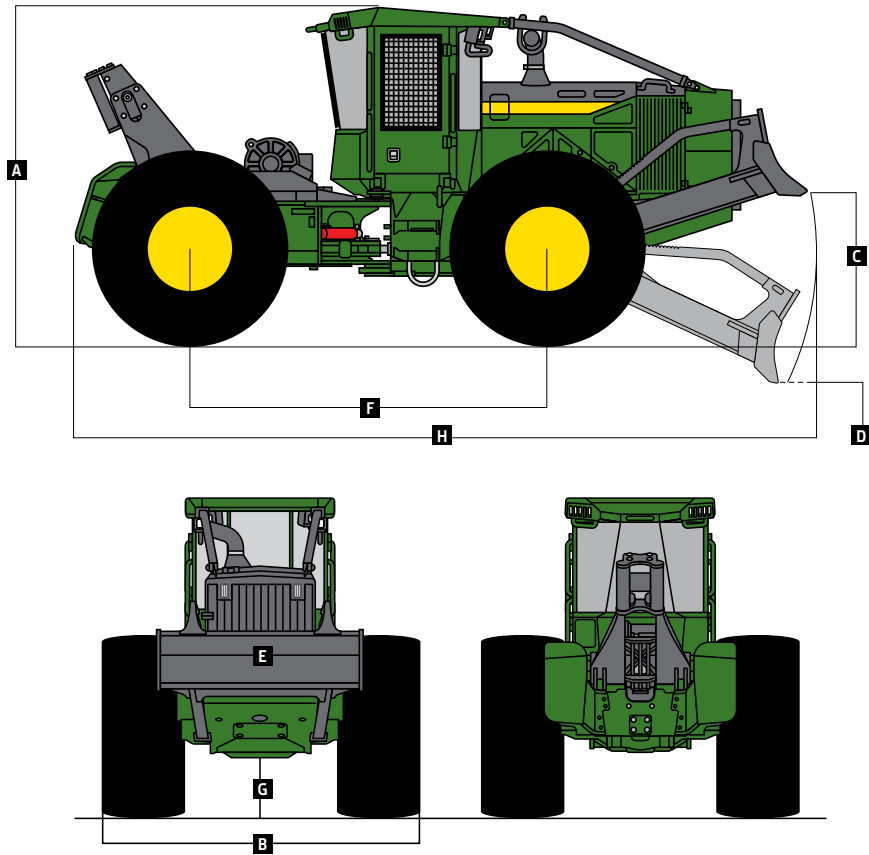
| Engine | | 640L-II | | |
|-----------------------------------------|------------------------------------------------------------------------------------------------|----------------------------------------------------------------------------|------------------------------------|--|
| Manufacturer / Model | John Deere PowerTech™ PSS 6.8L | John Deere PowerTech™ Plus 6.8L | John Deere PowerTech™ 6.8L | |
| Off-Road Emission Standards | EPA Final Tier 4/EU Stage V | EPA Tier 3/EU Stage IIIA | EPA Tier 2/EU Stage II | |
| Gross Power | 177 kW (237 hp) at 1,800 rpm | 163 kW (218 hp) at 1,800 rpm | 157 kW (210 hp) at 1,800 rpm | |
| Gross Torque | 1025 Nm (756 ft.-lb.) at 1,600 rpm | 979 Nm (722 ft.-lb.) at 1,400 rpm | 943 Nm (695 ft.-lb.) at 1,400 rpm | |
| Number of Cylinders | 6 | 6 | 6 | |
| Valves per Cylinder | 4 | 4 | 4 | |
| Engine Displacement | 6.8 L (415 cu. in.) | 6.8 L (415 cu. in.) | 6.8 L (415 cu. in.) | |
| Engine Bore and Stroke | 106 x 127 mm (4.17 X 5.00 in.) | 106 x 127 mm (4.17 X 5.00 in.) | 106 x 127 mm (4.17 X 5.00 in.) | |
| Fuel System | High-pressure common rail | High-pressure common rail | High-pressure common rail | |
| Aspiration | Turbocharged and charge-air cooled | Turbocharged and charge-air cooled | Turbocharged and charge-air cooled | |
| Air Cleaner | Dual stage with safety element | Dual stage with safety element | Dual stage with safety element | |
| Engine Cold-Start System | Glow plugs | Glow plugs | Glow plugs | |
| Cooling | | Heavy-duty radiator with continuous deaeration tank and recovery reservoir | | |
| Cooling System | | | | |
| Fan Drive | Hydraulic, variable speed, reversing | | | |
| Powertrain | | Continuously Variable Transmission (CVT) | | |
| Transmission | | | | |
| Speed Ranges, Forward and Reverse | 6 | | | |
| Maximum Travel Speed With 30.5-32 Tires | 0–24.74 km/h (0–15.37 mph) — 6 speed-range configurations available | | | |
| Axles | | | | |
| Front Axle Oscillation, Stop to Stop | 30 deg. | | | |
| Options | 1400 Extreme Duty and 1400 Super-Wide Extreme-Duty (SWEDA™) | | | |
| Differential (front and rear) | Hydraulic-locking, operated-on-the-go, closed-center differential lock | | | |
| Steering | Fully hydraulic, joystick or wheel | | | |
| Articulation Angle | 45-deg. each direction | | | |
| Service Brakes | Inboard-mounted, wet-disc, oil-cooled, self-adjusting and self-equalizing front and rear axles | | | |
| Parking Brake | Automatically spring-applied, hydraulically released, sealed and lubricated, wet multi-disc | | | |
| Hydraulics | | Open circuit, axial piston, variable displacement | | |
| Main Pump | | | | |
| Maximum Displacement | 85 cc/rev (5.19 ci/rev) | | | |
| Electrical System | | 24 volt | | |
| Voltage | | | | |
| Number of Batteries (12 volt) | 2 | | | |
| Battery Capacity (each) | 950 CCA | | | |
| Alternator Rating | 150 amp | | | |
| Lights (optional) | 11 | | | |
| Refill Capacities | | 342.2 L (90.4 gal.) | | |
| Fuel Tank | | | | |
| Standard | | | | |
| Optional | N/A | | | |
| Hydraulic Reservoir | 123.6 L (32.6 gal.) | | | |
| Diesel Exhaust Fluid (DEF) Tank | 19.9 L (5.2 gal.) | | | |
| Operating Weight | | 16 686 kg (36,787 lb.) | | |
| Machine Weight | | | | |
| Dozer Blade | | 2192 mm (86.3 in.) or 2962.4 mm (116.6 in.) | | |
| Width | | | | |
| Height | 687.6 mm (27.1 in.) | | | |
| Blade Control | Joystick | | | |

While general information, pictures, and descriptions are provided, some illustrations and text may include product options and accessories NOT AVAILABLE in all regions, and in some countries products and accessories may require modifications or additions to ensure compliance with the local regulations of those countries.

| Winch | | 640L-II | |
|--------------------------------------|---------------------------------------------------------------|---------------------------------------------|---------------------------------------------------|
| Winch Control | Joystick control, hydraulically driven | | |
| Cable Capacity | 2-Speed 6000 Winch With 279.5-mm (11 in.) Drum | 2-Speed 4000 Winch With 204-mm (8 in.) Drum | |
| 15.8 mm (5/8 in.) | 119.0 m (390 ft.) | 77.4 m (252 ft.) | |
| 19.1 mm (3/4 in.) | 81.4 m (267 ft.) | 54.6 m (177 ft.) | |
| 22.2 mm (7/8 in.) | 60.3 m (197 ft.) | 39.3 m (128 ft.) | |
| 25.4 mm (1 in.) | 46.0 m (150 ft.) | 30.7 m (100 ft.) | |
| Line Pull – 15.8-mm (5/8 in.) Cable | <i>Bare Drum at Stall With 2-Speed 6000 Winch</i> | | <i>Bare Drum at Stall With 2-Speed 4000 Winch</i> |
| Low Speed | 221.0 kN (49,696 lb.) | | 213.5 kN (47,997 lb.) |
| High Speed | 147.3 kN (33,131 lb.) | | 142.3 kN (31,990 lb.) |
| Line Speed – 15.8-mm (5/8 in.) Cable | <i>Bare Drum at 1,800 rpm With 2-Speed 6000 or 4000 Winch</i> | | |
| Low Speed | 18.2 m/min (60 fpm) | | |
| High Speed | 27.4 m/min (90 fpm) | | |

| Machine Dimensions | | Cable Skidder | |
|-----------------------------------|-----------------------|---------------|--|
| Tire Size | | 30.5-32 | |
| A Overall Height | 3365 mm (132.5 in.) | | |
| B Overall Width | 3233 mm (127.3 in.) | | |
| C Maximum Blade Lift Above Ground | 1517 mm (59.7 in.) | | |
| D Maximum Blade Dig Below Ground | 359 mm (14.1 in.) | | |
| E Dozer Blade Width | 2192 mm (86.3 in.) | | |
| Optional Dozer Blade Width | 2962.4 mm (116.6 in.) | | |
| F Wheelbase | 3680 mm (144.8 in.) | | |
| G Ground Clearance | 555 mm (21.8 in.) | | |
| H Overall Length | 7591 mm (298.9 in.) | | |

640L-II Skidder



While general information, pictures, and descriptions are provided, some illustrations and text may include product options and accessories NOT AVAILABLE in all regions, and in some countries products and accessories may require modifications or additions to ensure compliance with the local regulations of those countries.



MSK640LIU (22-07)

Contact us to learn more.

JohnDeere.com/Skidders
JohnDeere.ca/Skidders



JOHN DEERE